

ATMOZ 90

VACUUM PACKAGING MACHINE



FEATURES

- Standard with 2 seal bars (left-right): 2 x 660 mm
- Optional without extra costs: 2 seal bars (front-back)
- Standard double seal (two wires). Optional without extra costs: Cut-off or Wide seal (10 mm)
- Silicone holders easily removable for cleaning and maintenance purposes
- Pump capacity: 100 m³/h Busch vacuum pump
- Pump maintenance and cleaning program
- Machine cycle: 15-40 sec
- Standard Digital control with 10 program memory and Time control
- Flat work plate
- Comes with insert plates for a faster cycle and product adjustment
- Stainless steel exterior

OPTIONS

- 1-2 Cut-off seal
- Sensor control
- Liquid control
- ACS
- Gas flush (incl. pressed air connection)
- Soft Air to protect the product and vacuum bag

ACCESSORIES

- Inclined insert plate
- 2nd insert plate
- Service kit for standard maintenance

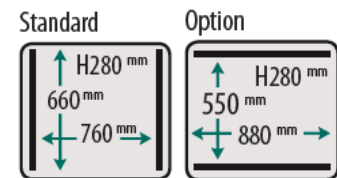
DESCRIPTION

The robust, stainless steel Atmoz 90 vacuum packaging machine has a specific construction of both the lid and the work plate. This results in longer seal bars compared to other series. This floor model is standard equipped with a Busch vacuum pump and complies with CE standards.

SEAL BAR CONFIGURATION



Henkelman offers standard 1 year warranty on the Atmoz series.

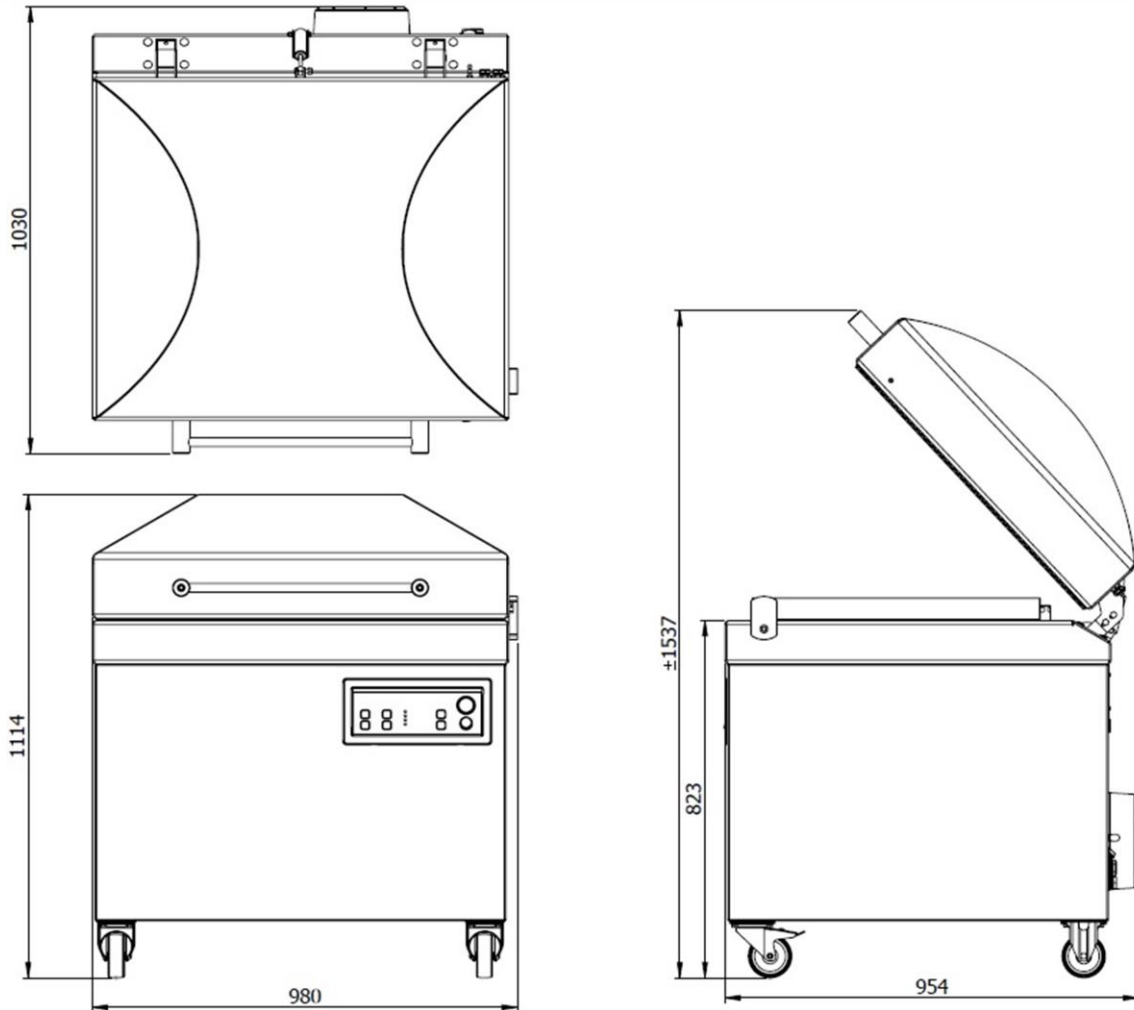


VACUUM PACAGING MACHINE ATMOZ 90 – SPECS

VACUUM PACKAGING MACHINE ATMOZ 90 – SPEC SHEET

DIMENSIONS

In mm



Model	Dimensions (mm)		Voltage* (Hz)	Pump capacity (m ³ /h)	Power (kW)	Weight (kg)
	Chamber (usable space) L x W x H	Machine L x W x H				
Atmoz 90	660 x 760 x 280	1030 x 980 x 1114	400V-3-50	100	1,85 – 3,6	345

* Other voltages available



HENKELMAN BV
Titaniumlaan 10
5221 CK 's-Hertogenbosch
The Netherlands

Sales support
P +31 73 621 36 71
E info@henkelman.com
Service/technical support
P +31 73 621 36 71
E service@henkelman.com