

AERO 42XL+
VACUUM PACKAGING MACHINE



FEATURES

- Standard with 1 seal bar (front): 420 mm
- Standard double seal (two wires). Optional without extra costs: Cut-off/Wide seal
- Seal bars easily removable for cleaning and maintenance purposes
- Pump capacity: 21 m³/h Busch vacuum pump
- Pump maintenance and cleaning program
- Machine cycle: 15-35 sec
- Standard Sensor control with a 3 program memory
- Easy control interface
- Standard soft air
- Deep drawn stainless steel vacuum chamber
- Stainless steel exterior and transparent lid
- Comes with insert plate for a faster cycle and product adjustment

OPTIONS

- 2nd seal bar (front-back)
- Liquid control

ACCESSORIES

- Inclined insert plate (for packing liquids)
- Food container adaptor
- Service kit for standard maintenance
- Trolley with shelf

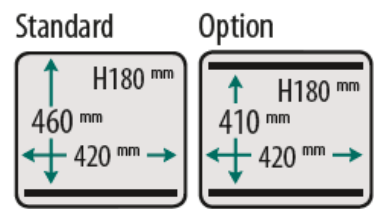
DESCRIPTION

State of the art, innovative, robust machine with a slick design. Easy control interface. 3 adjustable setting programs. Standard Soft-air. Precise vacuum settings with sensor pressure control. This table-top model complies with CE standards..



Henkelman offers standard 3 year warranty

SEAL BAR CONFIGURATION

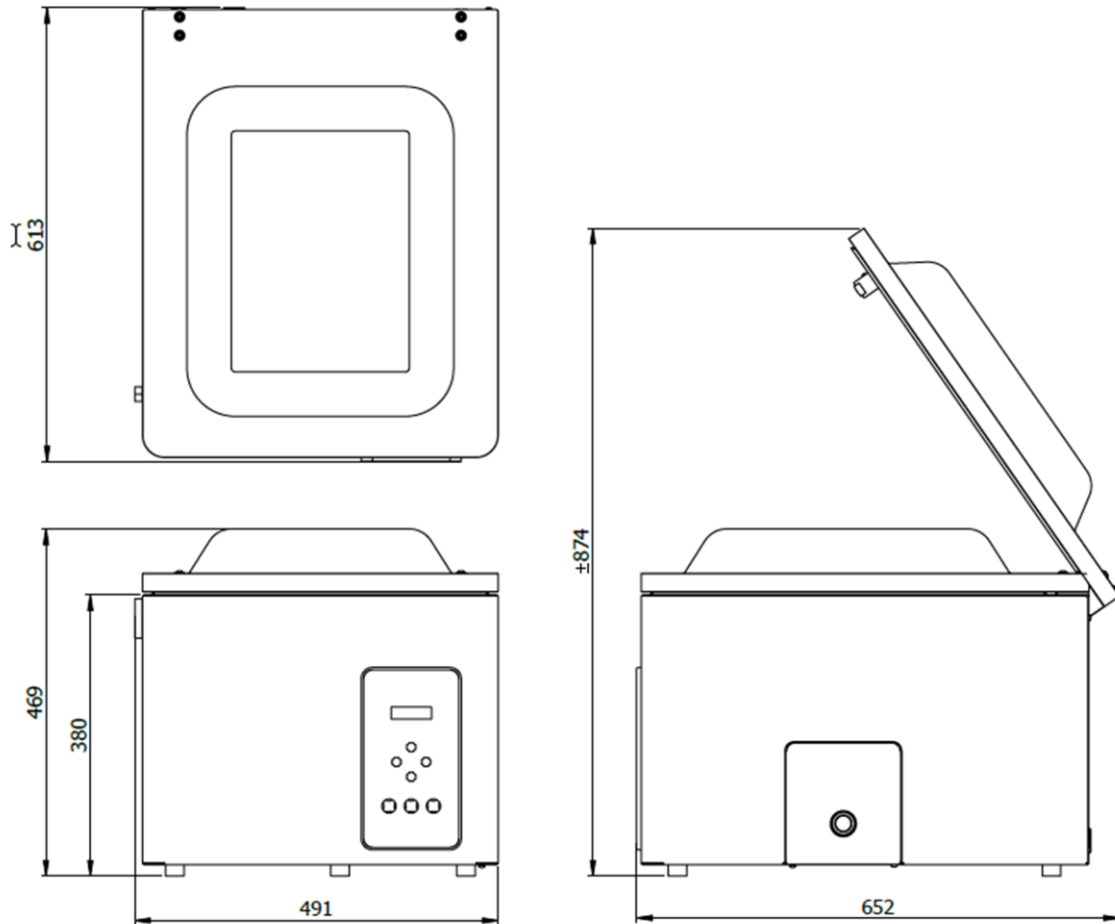


VACUUM PACAGKING MACHINE AERO 42XL+ – SPECS

VACUUM PACKAGING MACHINE AERO 42XL+ – SPEC SHEET

DIMENSIONS

In mm



Model	Dimensions (mm)		Voltage* (Hz)	Pump capacity (m ³ /h)	Power (kW)	Weight (kg)
	Chamber (usable space) L x W x H	Machine L x W x H				
AERO 42XL+	460 x 420 x 180	613 x 491x 469	230V-1-50	21	0,8 kW	72

* Other voltages available



HENKELMAN BV
Titaniumlaan 10
5221 CK 's-Hertogenbosch
The Netherlands

Sales support
P +31 73 621 36 71
E info@henkelman.com
Service/technical support
P +31 73 621 36 71
E service@henkelman.com